

### Features

- 120 airjets release thousands of heated bubbles that surround and support the body in a warm massage.
- Variable-speed blower lets you adjust massage intensity to 18 levels.
- Built-in heater.
- Automatic and manual purge cycles remove residual water from air channels after use.
- 60-minute automatic shutoff timer.
- Oval basin creates a spacious bathing experience.
- Integral lumbar support and armrests offer extra comfort while bathing.
- Keypad control.
- Textured bottom surface.

### Material

- Acrylic.

### Technology

- Heated BubbleMassage™ technology warms and humidifies air before it enters the bath.

### Installation

- Drop-in.
- Reversible drain.

### Recommended Products/Accessories

- K-11677 Bath Drain
- K-576 Undermount installation kit for K-1162/K-1163 baths
- K-24916 Wireless Music Kit
- K-1446 Remote Installation Kit
- K-1491 Bath/Whirlpool Pillow
- K-1601 Bath/whirlpool footstop, removable
- K-7213 27" Cable Bath Drain
- K-7214 27" Cable Bath Drain
- K-7265 Brass toe tap bath drain
- K-9497 2-1/2" Keypad Trim



### Codes/Standards

ASME A112.19.7/CSA B45.10  
CSA B45.5/IAPMO Z124  
ASTM E162  
ASTM E662  
UL 1795  
CSA C22.2 No. 218.2



### KOHLER® Hydrotherapy Components Five-Year Limited Warranty KOHLER® Plastic Baths and Receptors Lifetime Limited Warranty

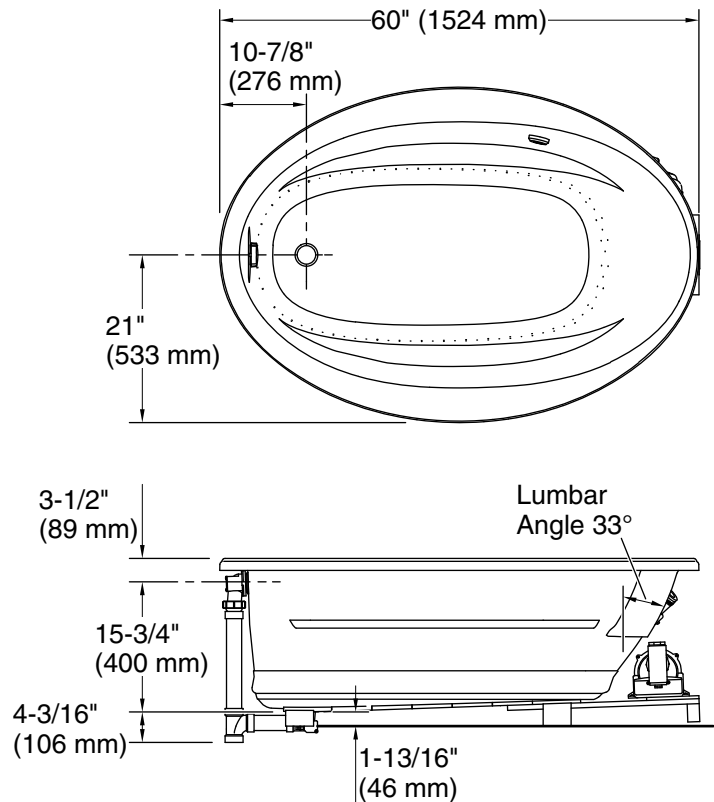
See website for detailed warranty information.

### Available Colors/Finishes

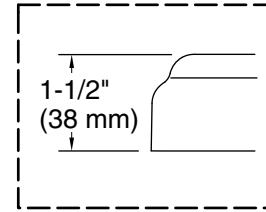
*Color tiles intended for reference only.*

Color	Code	Description
-------	------	-------------

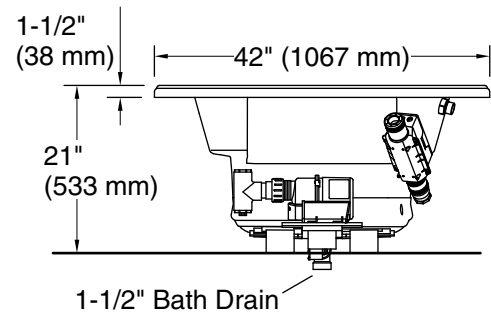
	0	White
	96	Biscuit



No change in measurements if connected with drain illustrated. (K-7213)



Blower Motor Access  
 20" (508 mm) W x 15" (381 mm) H Min



### Required Electrical Service

Two dedicated circuits required, protected with Class A Ground-Fault Circuit-Interrupter (GFCI). Outside North America, this device may be known as a Residual Current Device (RCD).

Blower: 120 V, 15 A, 60 Hz  
 Air bath: 120 V, 15 A, 60 Hz

### Technical Information

All product dimensions are nominal.

Installation: Drop-in  
 Drain location: End  
 Basin area, bottom: 43" x 21-9/16" (1092 mm x 548 mm)  
 Basin area, top: 53-1/2" x 32-1/8" (1359 mm x 816 mm)  
 Weight: 146 lbs (66.2 kg)  
 Minimum floor load: 35 lbs/ft² (170.9 kg/m²)  
 Water depth: 15" (381 mm)  
 Water capacity: 57 gal (215.8 L)  
 Template: Drop-in, 1042556-7, required, included  
 Electrical component rating:  
 Blower: 120 V, 10 A, 60 Hz  
 Air bath: 120 V, 5 A, 60 Hz

### Notes

Measure your actual product for rough-in details.

Install this product according to the installation instructions.

The hot water supply should be 70% of the capacity of the bath or greater. Installations will vary.